



**CITY OF RIALTO
BUILDING DIVISION
RE-ROOF APPLICATION**

ALL ITEMS IN BOLD SHALL BE PROVIDED PRIOR TO ISSUANCE OF A RE-ROOF PERMIT

1. **PROPERTY OWNER'S NAME:** _____ **PHONE NO.** _____
2. **JOB SITE ADDRESS:** _____
3. **BUILDING OCCUPANCY:** RES ___ COMM ___ IND ___ APT ___
4. **TYPE OF EXISTING ROOF:** _____
5. **NEW ROOF TYPE:** _____
6. **TYPE OF EXISTING SHEATHING:** SPACED ___ SOLID ___
7. **IS THERE MORE THAN ONE (1) EXISTING ROOF:** YES ___ NO ___
8. **IF YES, HOW MANY?** _____
9. **WILL EXISTING ROOF BE REMOVED?** YES ___ NO ___
(IF NOT, A PRE-ALTER INSPECTION MUST BE DONE BEFORE ANY ROOFING WORK STARTS. THE FEE FOR THIS IS \$3000)
10. **RE-ROOF SQUARE FOOTAGE:** _____
11. **ROOF SLOPE: RISE:** _____ **INCHES IN 12"**
12. **NEW ROOF TRADE NAME AND MANUFACTURER:** _____
13. **NEW ROOF WEIGHT PER SQUARE:** _____
14. **BASIS FOR ROOF SYSTEM APPROVAL:** ICBO # _____ UL # _____
15. **IS THE EXISTING STRUCTURAL DESIGN SUFFICIENT TO SUSTAIN THE WEIGHT OF THE PROPOSED NEW ROOF?** YES ___ NO ___

NOTE: ENGINEERED CALC'S WILL BE REQUIRED IF CONCRETE TILES ARE BEING USED

NOTE: A LADDER THAT EXTENDS 2' ABOVE ROOF LINE WILL NEED TO BE AT THE SITE EACH TIME AN INSPECTION IS REQUESTED.

CONTRACTOR INFORMATION:

COMPANY NAME ADDRESS CITY, STATE & ZIP CODE PHONE NO.

CONTRACTOR'S LICENSE NO. _____ **CITY LICENSE NO.:** _____

I CERTIFY THAT ALL THE INFORMATION ON THIS FORM IS TRUE AND CORRECT. I AGREE TO PERFORM ALL THE WORK IN ACCORDANCE WITH CITY ORDINANCE REQUIREMENTS

OWNER/CONTRACTOR SIGNATURE

OWNER/CONTRACTOR PRINTED NAME

DATE

10 Panel supports at 16 inches (406 mm) [20 inches (508 mm) if strength axis in the long direction of the panel, unless otherwise marked] Casing or finish nails

spaces 6 inches (152 mm) on panel edges, 12 inches (305 mm) at intermediate supports.

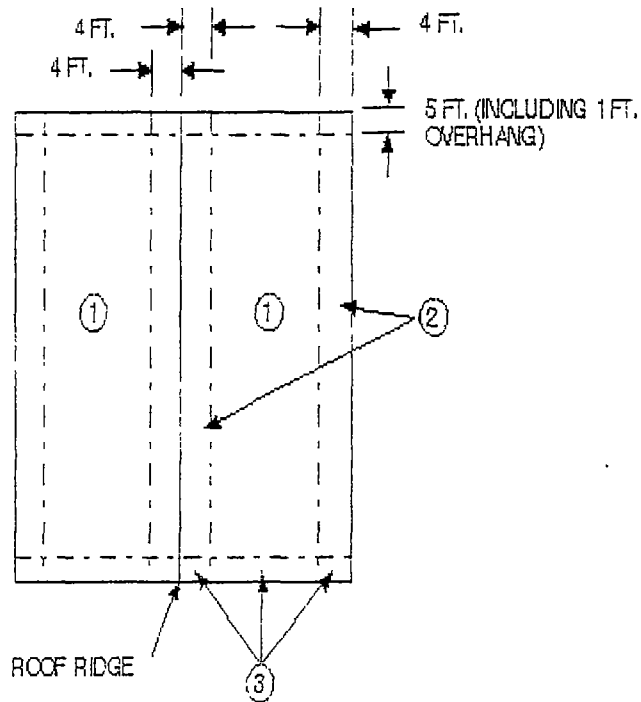
11 Panel supports at 24 inches (610 mm) Casing or finish nails spaced 6 inches (152 mm) on panel edges, 12 inches (305 mm) at intermediate supports

Wood Structural Panel Roof Sheathing Nailing Schedule (table 23-II-B-2)

WIND REGION	NAILS	PANEL LOCATION	ROOF FASTENING ZONE2		
			1	2	3
			Fastening Schedule (inches on center)		
			25.4 for mm		
Greater than 90 mph (145 km/h)	8d common	Panel edges	6	6	4
		Panel field	6	6	6
Greater than 80 mph (129 km/h) to 90 mph (145 km/h)	8d common	Panel edges	6	6	4
		Panel field	12	6	6
80 mph (129 km/h) or less	8a common	Panel edges	6	6	6
		Panel field	12	12	12

1 Applies only to mean roof heights up to 35 feet (10 700 mm). For mean roof heights over 35 feet (10 700 mm), the nailing shall be designed

2 The roof fastening zones are shown below:



ROOF FASTENING ZONES

For SI: 1 foot = 304.8 mm.

1 Edge spacing also applies over roof framing at gable-end walls

2 Use 8d ring-shank nails in this zone if mean roof height is greater than 25 feet (7600 mm). - 2 say.